

SPECIFICATIONS

As of September, 2013

| GENERAL | | | |
|------------------------|--|--|----------|
| Power Supply | DC7.2V/9.3V | | |
| Power Consumption | Max. 6.7W [Recording], 10.7W [Charging] | | |
| Weight (w/o Battery) | approx. 2,270g [5.00lb] | | |
| Dimensions (W x H x D) | 205 x 217 x 479 mm [8.07 inches x 8.54 inches x 18.85 inches] | | |
| Media | SD/SDHC/SDXC Memory Card | | |
| IMAGE SENSOR | | | |
| Image Sensor | 1/4.5-type MOS | | |
| Effective Pixels | Motion Image | 3.11 megapixels [Wide] [4:3] 4.14 megapixels [Wide] [16:9] [* with Level Shot off] | |
| | Still Image | 3.24 megapixels [Wide] [3:2] 4.14 megapixels [Wide] [16:9] 3.24 megapixels [Wide] [4:3] | |
| | | CAMERA SECTION | |
| | | Standard Illumination | 1,400 lx |
| Minimum Illumination | 2.0 lx (Low Light scene mode) 1 lx [Color Night View] | | |
| Image Stabilizer | HYBRID O.I.S.+ [Optical Image Stabilizer]/Level Shot | | |
| Focus | Auto/Manual | | |
| White Balance | Auto/Indoor1/Indoor2/Sunny/Cloudy/White set | | |
| Shutter Speed | Motion Image | [AG-AC8P/PJ] Auto Slow shutter ON: 1/30-1/8000 OFF: 1/60-1/8000 [AG-AC8EJ] Auto Slow shutter ON: 1/25-1/8000 OFF: 1/50-1/8000 | |
| | Still Image | 1/2-1/2000 | |
| Iris | Auto/Manual | | |
| Backlight Compensation | Yes | | |

| LENS SECTION | | | |
|-----------------------------|---|--|-----|
| Lens Brand | Panasonic Lens | | |
| F Value | F1.8 [WIDE]/F3.5 [TELE] | | |
| Optical Zoom | 21x | | |
| Intelligent Zoom OFF | 26x | | |
| Intelligent Zoom | 50x | | |
| Digital Zoom | 60x/1500x [The maximum value of zoom magnification] | | |
| Focal Length | 2.82-59.2mm | | |
| 35mm Film Camera Equivalent | [Motion Image] | 28.0-729.6mm [16:9], 36.2-893.0mm [4:3] | |
| | [Still Image] | * with Level Shot off 33.2-697.6mm [3:2], 28.0-729.6mm [16:9], 33.9-712.6mm [4:3] | |
| | | MONITOR | |
| | | EVF | Yes |
| LCD | 7.5cm [3 inches] Wide LCD [460,800 dots] | | |
| STILL IMAGE SECTION | | | |
| Recording Format | JPEG | | |
| Recording Image Size | Still Picture | 20.4 megapixels [6016 x 3384] [16:9] 15.1 megapixels [4480 x 3360] [4:3] 15.1 megapixels [4752 x 3168] [3:2] | |
| | Simultaneous Recording | 9.4 megapixels [4096 x 2304] [16:9] 1.4 megapixels [1440 x 1080] [4:3] | |

| RECORDING SECTION | |
|---------------------------------------|--|
| Signal System | [AG-AC8P/PJ] 1080/60i, 480/60i [AG-AC8EJ] 1080/50i, 576/50i |
| Compression | AVCHD/MPEG4-AVC/H.264 [AVCHD standard compliant] |
| Recording/ Playback Mode | [AG-AC8P/PJ] |
| | 1080/60p [Max. 28Mbps/VBR], [1920x1080/60p] |
| | PH [Max. 24Mbps/VBR], [1920x1080/60i] |
| | HA [Ave. 17Mbps/VBR], [1920x1080/60i] |
| | HG [Ave. 13Mbps/VBR], [1920x1080/60i] |
| | HE [Ave. 5Mbps/VBR], [1440x1080/60i] |
| | PM [Ave. 8Mbps/VBR], [1280x720/60p] |
| | SA [Ave. 9Mbps/VBR], [720x480/60i] |
| | [AG-AC8EJ] |
| | 1080/50p [Max. 28Mbps/VBR], [1920x1080/50p] |
| PH [Max. 24Mbps/VBR], [1920x1080/50i] | |
| HA [Ave. 17Mbps/VBR], [1920x1080/50i] | |
| HG [Ave. 13Mbps/VBR], [1920x1080/50i] | |
| HE [Ave. 5Mbps/VBR], [1440x1080/50i] | |
| PM [Ave. 8Mbps/VBR], [1280x720/50p] | |
| SA [Ave. 9Mbps/VBR], [720x576/50i] | |
| Audio Compression | Dolby Digital [2ch] |
| Microphone | 2ch Stereo Microphone |
| Speaker | Dynamic Type |
| Media Remaining Indication | Yes |

•OTHERS Accessory Shoe

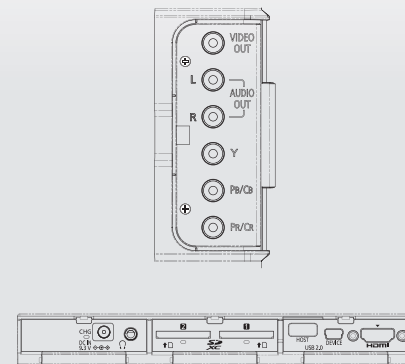
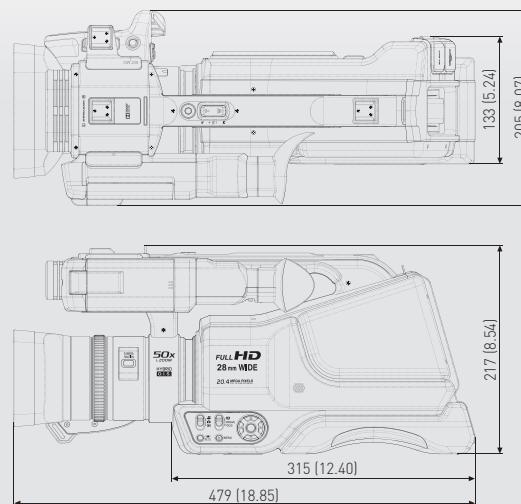
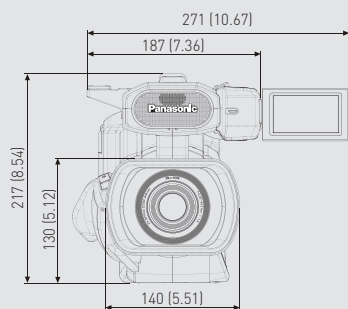
•INTERFACES HDMI TypeA, Microphones (stereo mini), Headphone (stereo mini), USB 2.0 Hi-Speed Host/Device, AV, Video Component

•STANDARD ACCESSORIES AC Adaptor, AC Cable, Rechargeable Battery Pack [2900 mAh/Lithium-ion], AV Cable, USB Cable, External Stereo Microphone, Lens Cap, Eye cup

•Weight and dimensions shown are approximate. •Design, functions, and specifications are subject to change without notice. •All monitor and TV pictures are simulated. •You are not allowed to reproduce (copy), or transfer to a network, any part of the software applications supplied with this product for commercial purposes without written authorization. •Panasonic will in no way be liable for any damages sustained directly or indirectly from the use of this product or from any trouble occurring therein. •Panasonic will also in no way be liable for any losses of data caused by this product. •SDXC Logo is trademark. •Other names of systems and products mentioned in this brochure are generally the registered trademarks or trademarks of the manufacturers who developed the system or product concerned. •All other company and product names are trademarks of their respective corporations. •"Dolby" and the double-D symbol are registered trademarks of Dolby Laboratories. •"AVCHD" and the "AVCHD" Logo are trademarks of Panasonic Corporation and Sony Corporation.

DIMENSIONS

Unit : mm [inches]



Please refer to the latest Non-linear compatibility information, AVCHD support, download and service information, etc. at the following Panasonic web site.



<http://pro-av.panasonic.net/>

Panasonic

Panasonic Corporation
Business Solutions Business Group
2-15 Matsuba-cho, Kadoma,
Osaka 571-8503
Japan
<http://pro-av.panasonic.net/>

SP-AC8PE1

[Countries and Regions]

Argentina +54 1 308 1610
Belgium +32 (0) 2 481 04 57
Canada +1 905 624 5010
Czech Republic +421 (0) 903 447 757
Denmark +45 43 20 08 57
Finland, Latvia, Lithuania, Estonia
+358 (9) 521 52 53
France +33 (0) 1 47 91 64 00
Germany, Austria, Switzerland
+49 (0) 611 235 459
Greece +30 210 96 92 300
Hungary +36 (1) 382 60 60
Italy +39 02 6788 367
Kazakhstan +7 727 298 0891
Mexico +52 55 5488 1000
Netherlands +31 73 64 02 577
Norway +47 67 91 78 00

Panama +507 229 2955
Peru +51 1 614 0000
Poland +48 (22) 338 1100
Portugal +351 21 425 77 04
Puerto Rico +1 787 750 4300
Romania, Albania, Bulgaria, Macedonia
+40 (0) 729 164 387
Russia & CIS +7 495 6654205
Slovak Republic, Croatia, Serbia,
Bosnia, Montenegro, Slovenia
+421 (0) 903 447 757
Spain +34 (93) 425 93 00
Sweden +46 (8) 680 26 41
Turkey +90 216 578 3700
U.K. +44(0)1344 70 69 13
U.S.A. +1 877 803 8492



JQA-0443



Factories of Business Solutions Business Group have received ISO14001:2004-the Environmental Management System certification. (Except for 3rd party's peripherals.)



051

25K201309PP-1 Printed in Japan

Panasonic

AVCCAM

AG-AC8

Memory Card Camera Recorder

(AG-AC8P, AG-AC8PJ, AG-AC8EJ)



BEST SUITED FOR • Weddings • Seminars/Conferences
• Documentaries/Movies • Wildlife/Nature
• Sports Events • Parties/Shows

AVCHD Progressive

HDMI HIGH-DEFINITION MULTIMEDIA INTERFACE

SDXC



AVCCAM 3-Year Warranty Repair Program*

* AG-AC8 users qualify for a 3-year warranty on repairs.
Visit the website for details: <www.panasonic.biz/sav/pass_e>

Simultaneous/Relay (Auto Switch) Recording on Dual Memory



Record simultaneously in two memory devices for added dependability and reliability. In addition, Relay (Auto Switch) Recording enables switching between 2 memory devices, suitable for extended recordings.

Note:
 - The voice is interrupted for a few seconds during the device switching.
 To eliminate voice gap, use Relay scene combining function (external HDD required).
 - Simultaneous Recording is not available during Relay (Auto Switch) Recording.

Ergonomically designed

Stable 4-point support



Ample distance between LCD touch panel and eye position

200mm is the most suitable distance based on verification results.



Excellent forward view on the right side



Functional Design

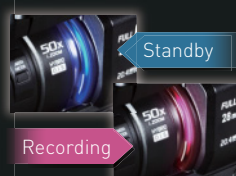
Easy manual settings with manual ring



- Operation of Manual ring
- Focus ● Zoom ● Iris
 - White balance ● Shutter speed

Position and diameter designed for easy use. When turning, the weight of the ring enables fine adjustments.

Illuminating LED ring



The illuminating LED ring allows users to verify easily that recording is in progress, making the shooting smoother. Users can turn the illumination on/off.

Main operation switches grouped together



Minimizes erroneous operation

Battery and jacks located on the rear side



Designed for optimum weight balance. Easy to take out battery.

5-Axis HYBRID O.I.S. + (Optical Image Stabilizer)

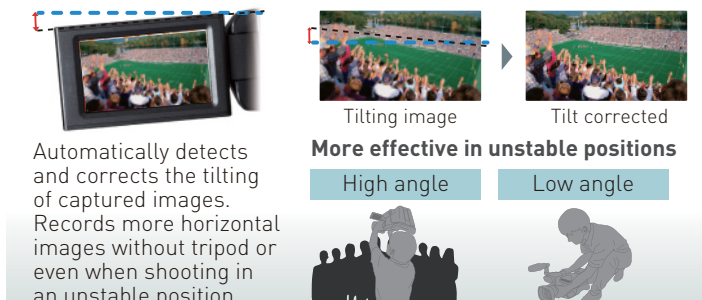


Thoroughly suppresses blurring all the way from wide-angle to powerful zoom shots. This lets you capture crisp, clear images in almost every shooting situation.

5-Axis Hand-Shake Detection



Level Shot Function



Automatically detects and corrects the tilting of captured images. Records more horizontal images without tripod or even when shooting in an unstable position.

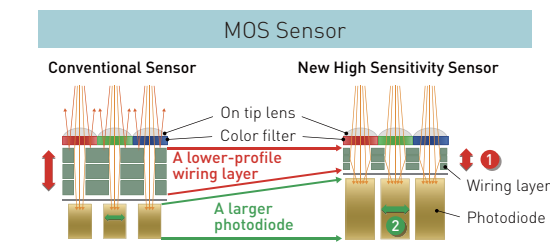
More effective in unstable positions
 High angle Low angle

Picture Quality

New High Sensitivity Sensor



Conventional New High Sensitivity Sensor



The sensor can capture a large amount of light, which was impossible with the conventional sensor, achieving 1080 TV-line high-definition images.

Quality appearance of lens



The larger lens hood blocks light more effectively.

Dim Light Shooting



Images are bright and sharp even when shooting indoor or nighttime scenes. Dark scenes are brightened, and images are low-noise.

28mm Wide-Angle



[simulated]

--- Conventional 35.8mm — 28mm Wide-Angle

The 28mm Wide-Angle fits more people and background into the frame. This is useful when shooting in narrow spaces where the cameraperson cannot move back.

21x Optical Zoom/ 50x Intelligent Zoom



21x Optical Zoom 50x Intelligent Zoom

Powerful 21x optical/50x super-high-resolution zoom for shooting scenes that you can't get close to. Intelligent resolution technology lets you shoot at high zoom rates while preserving the image resolution.

Easy Saving



USB bus power supply
 Portable HDD with USB bus power supply
 + USB memory

Image data from many hours of shooting can easily be backed up in an external portable HDD. When the AC adaptor is not connected to this unit, the external drive cannot be used.

Others

3.0-type touch-panel LCD 460,800 dots



New high-performance stereo microphone (included)



Eye-Fi™ compatible

By using the Eye-Fi™ card, you can save files recorded on a card to a PC or file-sharing site via a wireless network.

Optional Accessories

| | | | | |
|--|--|---|--|--|
| <p>Stereo Microphone</p> <p>VW-VMS10</p> <p>Plug-in Power (stereo mini plug)</p> <ul style="list-style-type: none"> • Wind Jammer • Pouch | <p>Wide Conversion Lens</p> <p>VW-W4907H</p> <p>Diameter 49mm/46mm, HD compatible</p> | <p>Battery Pack</p> <p>CGA-D54</p> <p>7.2V 5400mAh</p> | <p>Filter Kit</p> <p>VW-LF49N</p> <p>Lens Diameter 49mm</p> <ul style="list-style-type: none"> • ND Filter • MC Protector • Lens Cap | <p>LED video light</p> <p>VW-LED1</p> |
|--|--|---|--|--|

As of September, 2013